



## NISSAN MAXIMA (2000-2002) INFINITI I-30 (2000-2004) INFINITI I-35 (2002-2003)

See other side for INFINITI I30-T (2000-2001), I30-ASPEN (2000)

PART NUMBER: NS-50-00

**PLEASE READ COMPLETE INSTRUCTIONS BEFORE INSTALLING THIS Pro.Fit VSM®.**  
All instructions assume a drivers seat vantage point. Caution is advised when removing and reassembling wood or plastic parts of a dash. Applying unnecessary force or pressure may cause a piece to crack or break.

**Pro.Fit logo and part number will be right side up and readable when installed.**

**TOOLS REQUIRED:** #2 Phillips screwdriver, 8mm socket & driver, 5/64" drill bit & drill, hook tool, marking pen.

**PARTS INCLUDED:** Pro.Fit custom mount, instructions, two (2) #8x1/2" screws.

**LOCATION:** To the right of the radio.

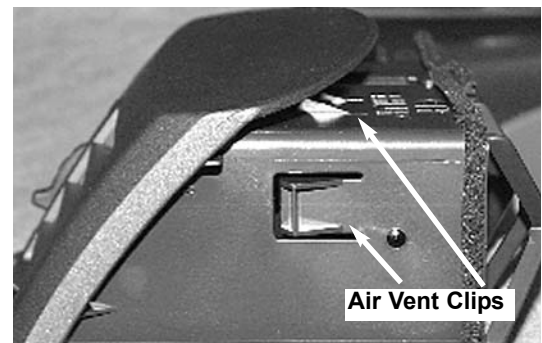
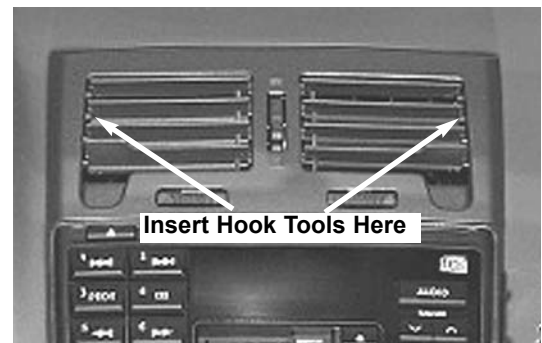
**STEP 1.** Begin by removing the bezel that surrounds the shifter and also has the ashtray integrated into it. **Carefully** insert the hook tool under the bezel towards the back right corner between the bezel and the padding. Pull upward to release the back right clip. Perform this same action on the left back corner releasing the back left clip. Insert the hook tool under the bezel on the right side of the bezel between the padding just to the front of the shifter. Carefully pull upward to release the front side clip. Perform this same action on the left side of the bezel releasing the left front clip. Open the ashtray door and pull out the ashtray insert. Set the insert aside. Inside the ashtray cavity, locate a Phillips screw towards the back of the cavity. Remove that screw using the #2 Phillips screwdriver. Set the screw aside. Carefully grasp and pull the bezel out towards you making sure the bezel clears the front section of the shifter and the bottom section of the climate control. Let the bezel hang to the left side of the center console. **Do not disconnect any wiring to the bezel.**

**STEP 2.** Locate and remove the air vent assembly above the radio. To do this, insert the hook tool in only **one** side of the air vent as shown. Hook the side vent clip with the hook tool and pull the clip in while pulling out the air vent slightly. Do the same for the other side of the vent. With both side clips released, gently slide out the air vent assembly. Set the air vent aside.

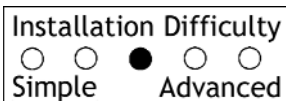
**STEP 3.** Locate two hex head bolts inside the air vent cavity. Remove these bolts using the 8mm socket and driver. Set the bolts aside. Inside the ashtray cavity, directly below the radio, locate and remove two more hex head bolts. Grasp the radio and climate control module and pull it out of its cavity. Carefully let it rest on the center console. **Do not disconnect any wiring to the radio.**

**STEP 4.** Locate a flat section of plastic on the right inside section of the radio and climate control cavity. This section is just below the top cross member of the cavity. Place the Pro.Fit VSM® over this section marking two spots for pilot holes using the holes in the mount as a guide. **Carefully** drill two pilot holes using the 5/64" drill bit and drill. Attach the phone holder onto the Pro.Fit VSM®. Place the Pro.Fit VSM® over the pilot holes. Insert and tighten the two provided screws. Re-assemble the dash in reverse order securing all clips and screws.

This completes the installation of your Pro.Fit VSM®.



Pro.Fit International, Inc.® may not be held liable for any damage to a vehicle before, during or after the installation or removal of this Pro.Fit VSM®. Pro.Fit may not be held liable for any personal injury resulting from accident or improper installation. Pro.Fit International, Inc.® 1335 Eagandale Court, Eagan, MN 55121, Ph: 651-688-3588 or 800-388-0073 Fx: 651-688-9876



© Pro.Fit International, Eagan, MN 2004

<b>VIEW INSTRUCTIONS &amp; UPDATES ONLINE @ WWW.PRO-FIT-INTL.COM</b>
--



## I30-ASPEN (2000) INFINITI I30-T (2000-2001)

See othe side for Nissan Maxima (2000-2002) & Infiniti I30 (2000-2004),  
Infiniti I-35 (2002-2003)

PART NUMBER: NS-50-00

**PLEASE READ COMPLETE INSTRUCTIONS BEFORE INSTALLING THIS Pro.Fit VSM®.**  
All instructions assume a drivers seat vantage point. Caution is advised when removing and reassembling wood or plastic parts of a dash. Applying unnecessary force or pressure may cause a piece to crack or break.

**Pro.Fit logo and part number will be right side up and readable when installed.**

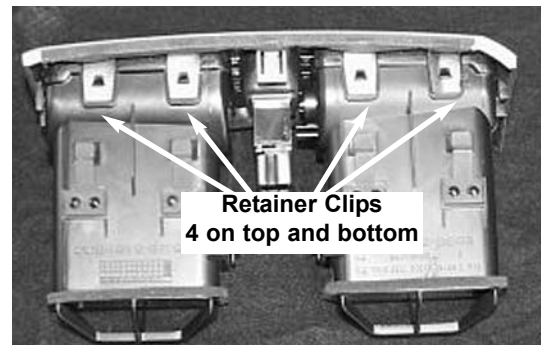
**TOOLS REQUIRED:** #2 Phillips screwdriver, 5/64" drill bit & drill, hook tool, marking pen.

**PARTS INCLUDED:** Pro.Fit VSM®, instructions, two #8x1/2" screws.

**LOCATION:** To the right of the radio.

### Step 1.

Begin by removing the air vent that is directly over the radio. To do this, insert a hook tool or thin, flat screwdriver below the bottom right corner of the vent. Gently release the four (4) bottom retainer clips, from right to left. Next, gently release the top four (4) retainer clips. When all eight (8) clips have been released, pull the air vent assembly straight out.



### Step 2.

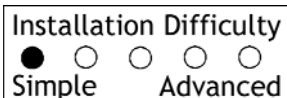
Locate a flat section of plastic on the right side of the air vent cavity, directly above the radio. Place the **Pro.Fit VSM®** against the flat spot, marking two (2) spots for pilot holes using the holes in the mount as a guide. **Carefully** drill two (2) pilot holes using the 5/64" drill bit and drill. Attach the phone holder onto the **Pro.Fit VSM®**. Place the **Pro.Fit VSM®** over the pilot holes. Insert and tighten the two (2) provided screws. Carefully slide the air vent assembly back into the vent cavity until all clips are engaged.



This completes the installation of your **Pro.Fit VSM®**.



Pro.Fit International, Inc.® may not be held liable for any damage to a vehicle before, during or after the installation or removal of this Pro.Fit VSM®. Pro.Fit may not be held liable for any personal injury resulting from accident or improper installation. Pro.Fit International, Inc.® 1335 Eagandale Court, Eagan, MN 55121, Ph: 651-688-3588 or 800-388-0073 Fx: 651-688-9876



© Pro.Fit International, Eagan, MN 2004

**VIEW INSTRUCTIONS & UPDATES  
ONLINE @  
WWW.PRO-FIT-INTL.COM**